

PRISM P4

Ideal solution for channel letters with a depth of 150 - 250 mm and light boxes with enhanced brightness.

Due to professional optics directs more light to the surface of illuminated signs.

Cost-effective solution to achieve more brightness at reasonable price.

Various color solutions available 6500K

Specially designed for:

- Channel letters
- Light boxes with enhanced brightness
- Recommended installation depth 150-250 mm

Features:

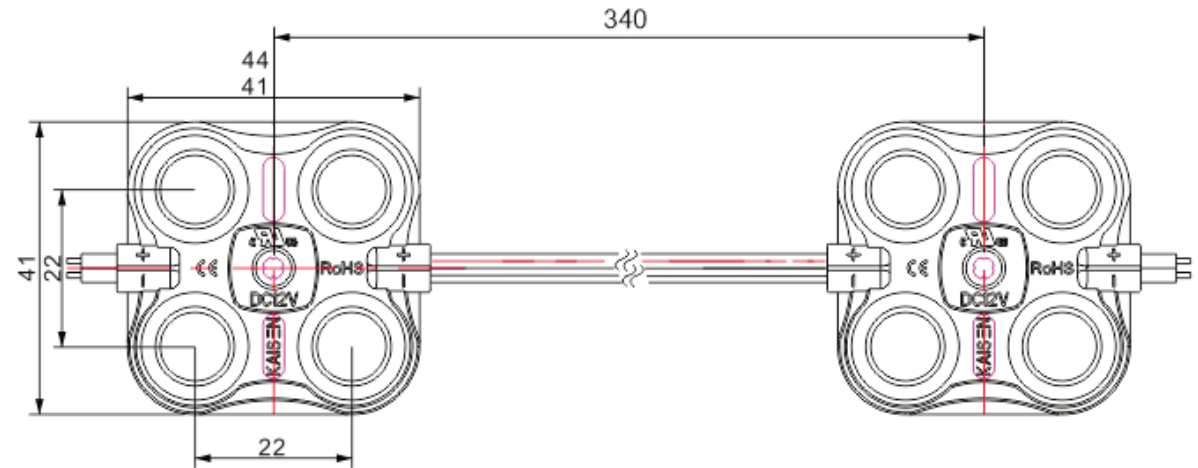
- Special optics designed for channel letters
- Compact size
- Efficiency up to 115 lm/W
- Maximum Tj temperature <80 °C
- LM80 international certificate for LEDs
- V1 fire protection level
- High protection level of IP66
- Light decay < 30% after 50,000 hrs
- 5 years warranty



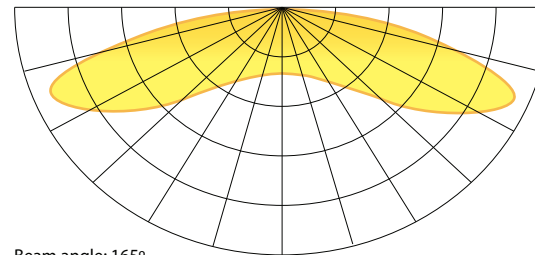
www.kaisenelectric.com

KAISEN

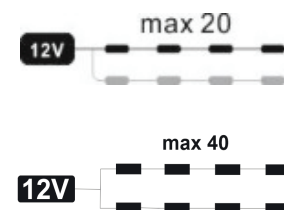
Dimensions



Light distribution graph



Beam angle: 165°



Technical information

Colors available :	<input type="radio"/>
Power	2,0 W
Light output	230 lm
LED type	
Input	12VDC
Color temperature	<input type="radio"/> 6500 K
Beam angle	165°
Protection level	IP 66
Center-to-Center distance	340 mm
Working temperature	-30 +50 °C

Packing information

Packing type	Chain	Package	Box
Quantity	20 pcs	50 pcs	400 pcs
Weight	1 kg	2,5 kg	20,3 kg